



Wall & Fire Wall Sleeve Kits

Features

- Fire Wall Sleeve Kits come with Nelson fire stop pillows and Nelson fire stop putty.
- Fire sleeves are UL listed (file #R21576) for use when penetrating a two hour fire rated wall.
- Sleeves are UL Classified for grounding.
- Sleeves are made of Hot Dipped Mill Galvanized steel
- Sleeves insert through and attach to walls
- Cable Tray Wall Sleeve Kits (CT) are provided with splice plates.
- Data-Track Wall Sleeve Kits (D) are provided with pivot connectors.
- Universal Wall Sleeve (U) requires additional attachment hardware depending on support system being used. i.e. Wire Basket, Cable Runway, etc.



'CT' Type Fire Wall Sleeve
FWS (Fire Wall Sleeve) Shown



'D' Type Fire Wall Sleeve
FWS (Fire Wall Sleeve) Shown



'U' Type
Wall Sleeve
WS (Wall Sleeve)
Shown



Fire Stop Putty



Fire Stop Pillow

See reverse side for part numbers and dimensions.

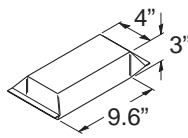
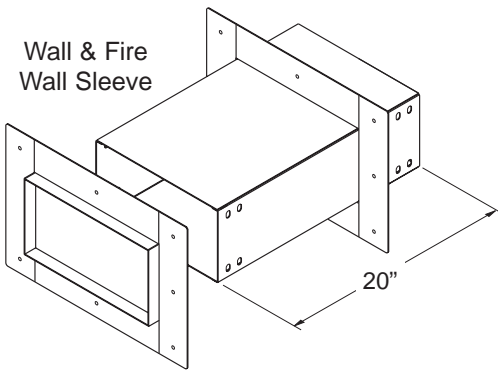
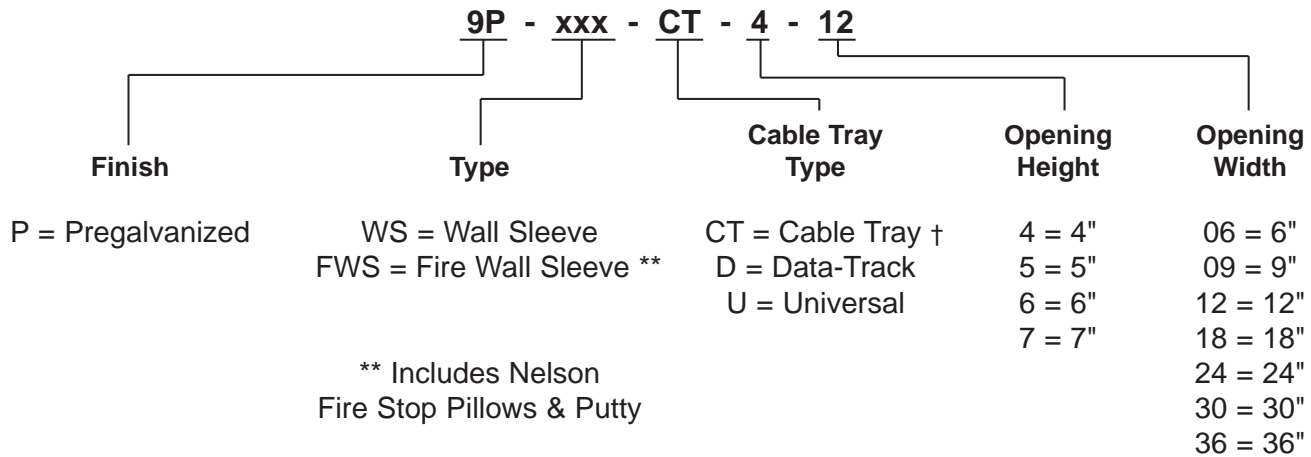
Cooper B-Line

800-851-7415 • www.cooperbline.com

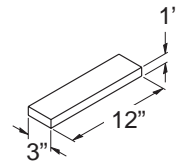
COOPER B-Line

BA159C

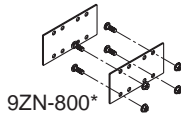
Wall & Fire Wall Sleeve Part Numbering



FSP-1043
Fire Stop Pillow
(orange bag)
*Can be ordered
separately if required.*



FSP-1312
Fire Stop Putty
(wrapped in paper)
*Can be ordered
separately if required.*



- "CT" Type tray includes two (2) pair 9ZN-800* splice plates with $\frac{3}{8}$ " zinc plated hardware.
* Insert tray depth - 4 for 4", 5 for 5", 6 for 6", 7 for 7"



- "D" Type tray includes two (2) pieces of CAC-UFB pivot connectors with zinc plated hardware.
- "U" Type tray does not include splices. Example uses include Wire Basket or Half-Rack.

† 'CT' Type furnished with steel splice plates (9ZN-800*). For aluminum cable trays use the furnished splice plates and field drill $\frac{13}{32}$ " diameter holes in the aluminum tray siderails.