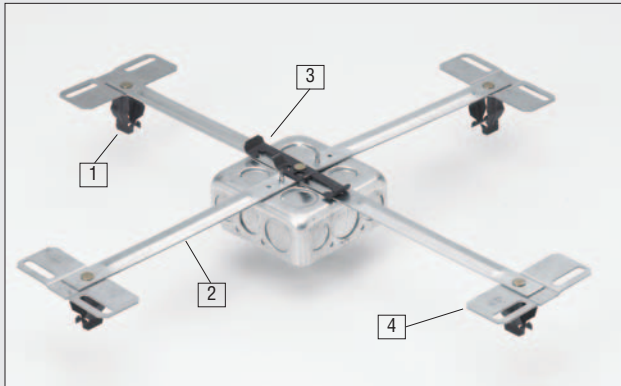




# Conduit & Box Support Fastener Assemblies



BP8-S18X-W2-MC3-4

## Features

- Riveted assembly secures electrical boxes and conduit/cable runs on either side of the box.
- Assemblies available with bat wing or beam fasteners for simple installation.
- New BMC3 plate is available to support multiple conduit runs on either side of the box.
- New “X” configuration available as a Ruff-IN Pre-Fab assembly and provides cable/conduit support from all knockouts.
- **Conduit and box support assemblies that include plaster rings and/or boxes are a new addition to the Ruff-IN Pre-Fab Systems product line.**

Components that can be assembled:



1

Conduit/Cable Clamp Options



BG Series



BP Series



BRC5 Series

2

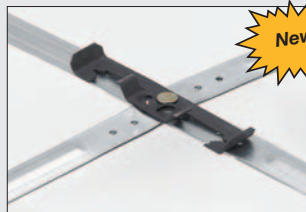
Spanner Bar Options



S18



S18S



S18X with BW2 Support Clip

3

Support Clip Options



BW2 / BW6



BU24 / BU58

4

Multiple Conduit Plate Option



MC3

Phone: 800-851-7415 • [www.cooperblines.com](http://www.cooperblines.com)

## Advantage Flyer • Fasteners

**COOPER B-Line**

[www.cooperindustries.com](http://www.cooperindustries.com)

**BA189F**

† Example

**BG812 - S18 W2 MC3 - \_ \_ 4D N**

1 2 3 4 5 6 7 8

**1 Conduit/Cable Clamp**

- BG6 = 3/8" conduit or MC/AC cable
- BG812 = 1/2" or 3/4" Conduit
- BG16 = 1" Conduit
- BP8 = 1/2" EMT
- BP12 = 3/4" EMT
- BP16 = 1" EMT
- BRC51 = up to 4 Runs of Cable Diameter .43" - .56"
- BRC53 = up to 7 Runs of Cable Diameter .56" - .69"

**2 Spanner Bar**

- S18 = Single Combo Bar
- S18X = Double Combo Bar

**3 Support Clip**

- W2 = Bat Wing for #12 - 1/4" Rod
- W6 = Bat Wing for 3/8" Rod
- U24 = Hammer on Beam Clamp for 1/8" - 1/4" Flange
- U58 = Hammer on Beam Clamp for 5/16" - 1/2" Flange
- Blank = No Support Clip

**4 Multiple Conduit Plate**

- MC3 = Multiple Conduit Plate
- Blank = No Multiple Conduit Plate

**5 Plaster Ring Style**

- 1 = One Device
- 2 = Two Device
- R = Round
- 1AJ = One Device Adjustable \*
- 2AJ = Two Device Adjustable \*
- Blank = Box Only

**6 Plaster Ring Size**

- 04 = 1/4" Raise
- 08 = 1/2" Raise
- 10 = 5/8" Raise
- 12 = 3/4" Raise
- 16 = 1" Raise
- 20 = 1 1/4" Raise
- 24 = 1 1/2" Raise
- 32 = 2" Raise
- Blank = Box Only or Adjustable Plaster Ring

**7 Box Style**

- 2 = 4" Octagon, 1 1/2" Deep \*\*
- 2D = 4" Octagon, 2 1/8" Deep \*\*
- 4D = 4" Sq., 2 1/8" Deep
- 436 = 4" Sq., 2 1/8" Deep, 1" KO
- 4 = 4" Sq., 1 1/2" Deep
- 432 = 4" Sq., 2 1/8" Deep, 3/4" KO
- 5D = 4 11/16" Sq., 2 1/8" Deep
- 560 = 4 11/16" Sq., 2 1/8" Deep, 1" KO
- 5 = 4 11/16" Sq., 1 1/2" Deep
- 554 = 4 11/16" Sq., 2 1/8" Deep, 3/4" KO

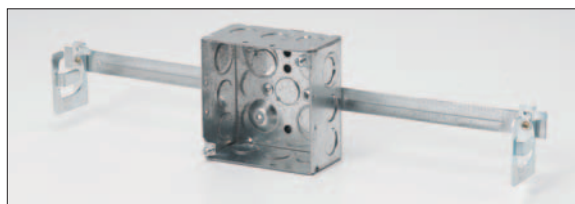
**8 Ground Wire**

- Blank = Solid Ground Wire
- A = Stranded Ground Wire
- N = No Ground Wire

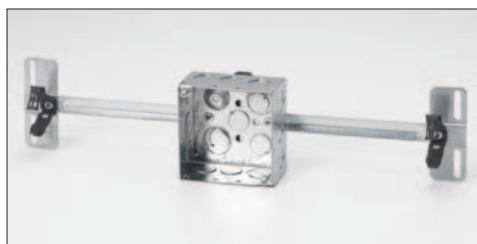
\* One device adjustable plaster rings are set at 3/4" raise and can be adjusted to 1 1/2" raise. Two device adjustable plaster rings are set at 5/8" raise and can be adjusted to 1 1/2" raise. Adjustable plaster ring can only be used on 4" square boxes.  
 \*\* Octagon boxes are only available for selection on those configurations where a plaster ring does not exist.



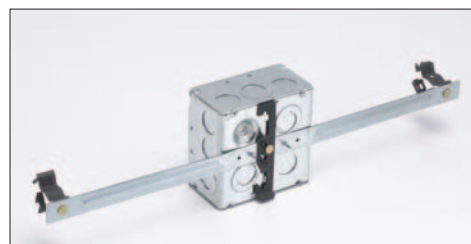
**BP6-S18-U24-MC3**



**BRC51-S18-W2-5D**



† **BG812-S18-W2-MC3-4DN**



**BG812-S18-W2-4D**

- Basic Ruff-IN = 3-5 day lead-time for quantities of 1000 or less.
- Non Stock Components = Call factory for lead-time.