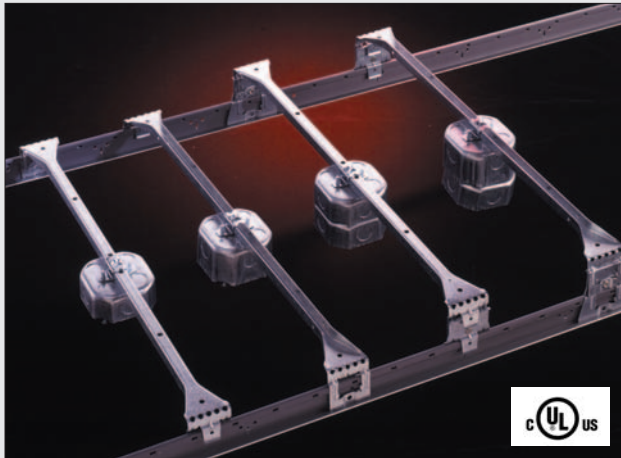




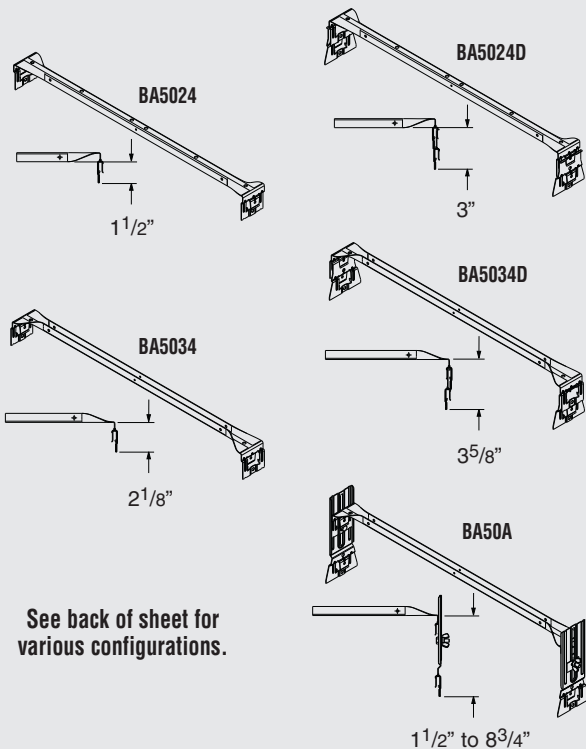
Electrical Box T-Bar Fastener Assemblies

Adding more installation flexibility to Ruff-IN Pre-Fab Systems.



Features

- Now available in any configuration as a Ruff-IN assembly.
- Preassembled T-Bar fasteners speed installation.
- Boxes have 1/2" and 3/4" knockouts.
- Loading not to exceed 50 lbs. without independent support. 35 lbs. in Canada.
- BA50A adjusts to accommodate heights from 1 1/2" to 8 3/4".
- BA5024D & BA5034D include BA50E extender brackets.



See back of sheet for various configurations.

UPC/Part Number	Catalog Number	Description	Box Qty
781011 96492	BA50F	Fan/Fixture Hanger Includes 4" x 1 1/2" deep octagon box	1

BA50F Boxed

Phone: 800-851-7415 • www.cooperline.com

Advantage Flyer • Fasteners

COOPER B-Line

BA50__ - 1 10 2D N

1

2

3

4

5

1 Bracket Type

- 24 = BA50 Bar at 1 1/2" Depth
- 34 = BA50 Bar at 2 1/8" Depth
- 24D = BA50 Bar at 3" Depth
- 34D = BA50 Bar at 3 5/8" Depth
- A = BA50A Adjustable Support

2 Plaster Ring Style

- 1 = One Device
- 2 = Two Device
- R = Round
- 1AJ = One Device Adjustable *
- 2AJ = Two Device Adjustable *
- Blank = Box Only

3 Plaster Ring Size

- 04 = 1/4" Raise
- 08 = 1/2" Raise
- 10 = 5/8" Raise
- 12 = 3/4" Raise
- 16 = 1" Raise
- 20 = 1 1/4" Raise
- 24 = 1 1/2" Raise
- 32 = 2" Raise
- Blank = Box Only or Adjustable Plaster Ring

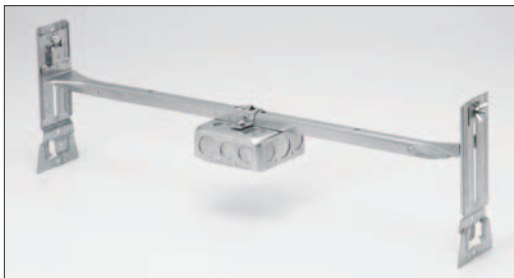
4 Box Style

- 2 = 4" Octagon, 1 1/2" Deep
- 2D = 4" Octagon, 2 1/8" Deep
- 4D = 4" Sq., 2 1/8" Deep
- 436 = 4" Sq., 2 1/8" Deep, 1" KO
- 4 = 4" Sq., 1 1/2" Deep
- 432 = 4" Sq., 2 1/8" Deep, 3/4" KO
- 5D = 4 11/16" Sq., 2 1/8" Deep
- 560 = 4 11/16" Sq., 2 1/8" Deep, 1" KO
- 5 = 4 11/16" Sq., 1 1/2" Deep
- 554 = 4 11/16" Sq., 2 1/8" Deep, 3/4" KO
- Blank = Plaster Ring Only

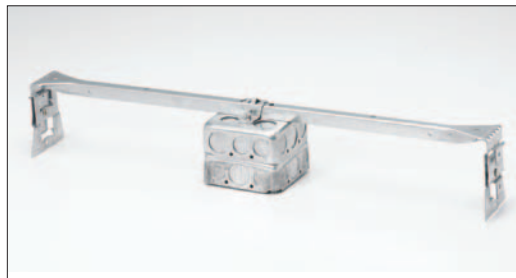
5 Ground Wire

- Blank = Solid Ground Wire
- A = Stranded Ground Wire
- N = No Ground Wire

* One device adjustable plaster rings are set at 3/4" raise and can be adjusted to 1 1/2" raise. Two device adjustable plaster rings are set at 5/8" raise and can be adjusted to 1 1/2" raise. Adjustable plaster ring can only be used on 4" square boxes.



BA50A-4



BA5024D-4

- Basic Ruff-IN = 3-5 day lead-time for quantities of 1000 or less.
- Non Stock Components = Call factory for lead-time.

COOPER B-Line