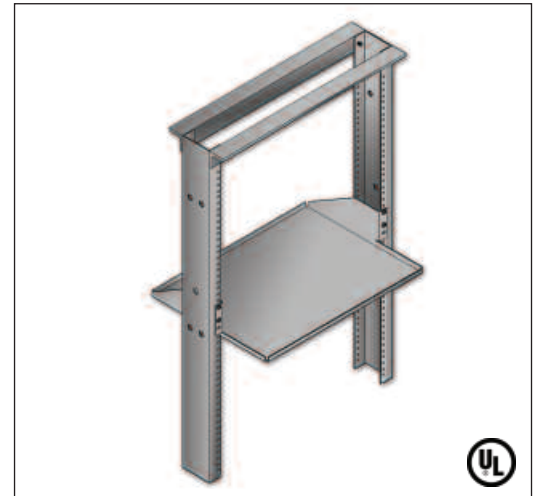


Center Mount Shelf, Rack Mounted, Solid Steel

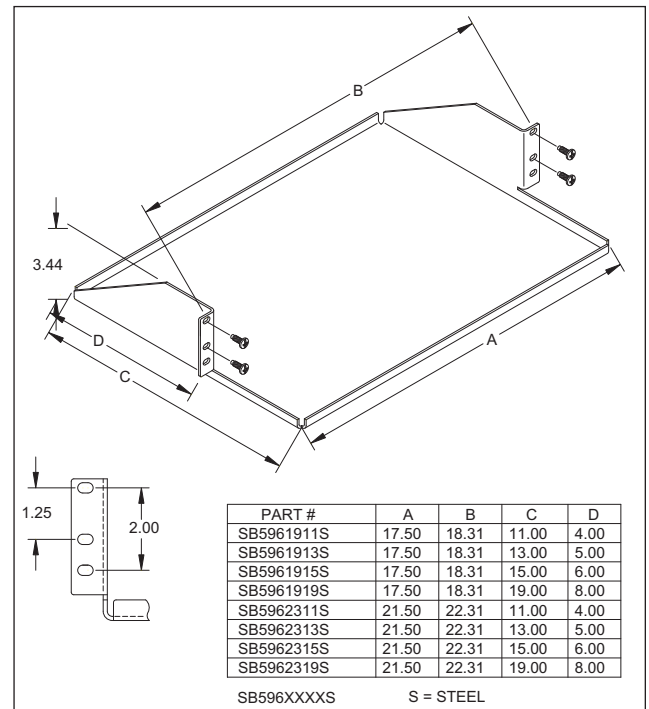
SB596 Series

- Single piece, center mounted shelf used to support equipment in two-post racks
- 14 gauge steel construction
- Requires 2 RMU mounting spaces
- Supports up to 100 lbs
- Available for 19" and 23" wide racks
- #12-24 mounting hardware included
- UL 1863 Listed (file # E171936)
- Finishes include silver, flat black, and telco gray powder coat



Technical Information

| Materials | | | | | | | | | | | | | | | | | | | |
|------------------------------|---|-------------|-----|------------|-----|------------|-----|------------|------|------------|------|------------|-----|------------|------|------------|------|------------|------|
| Overall Construction | Formed from 14 Gauge ASTM A1011 structural sheet steel Solid base for standard applications | | | | | | | | | | | | | | | | | | |
| Height | 3.44" (87mm) – utilizes 2 RMU of rack mounting space | | | | | | | | | | | | | | | | | | |
| Depth | 11" (279mm), 13" (330mm), 15" (381mm) or 19" (483mm) deep | | | | | | | | | | | | | | | | | | |
| Width | Rackmount widths available include 19" and 23" | | | | | | | | | | | | | | | | | | |
| Finish | | | | | | | | | | | | | | | | | | | |
| Flat Black | Powder coat, flat finish | | | | | | | | | | | | | | | | | | |
| Silver | Powder coat, flat finish | | | | | | | | | | | | | | | | | | |
| Telco Gray | Powder coat, flat finish | | | | | | | | | | | | | | | | | | |
| Approvals and Certifications | | | | | | | | | | | | | | | | | | | |
| UL | UL 1863 listed (file # E171936) | | | | | | | | | | | | | | | | | | |
| EIA | Mounting hole pattern compliant to EIA-310-D | | | | | | | | | | | | | | | | | | |
| Shipping | | | | | | | | | | | | | | | | | | | |
| Shipping Weight (lbs) | <table border="1"> <thead> <tr> <th>Part Number</th> <th>Lbs</th> </tr> </thead> <tbody> <tr><td>SB5961911S</td><td>8.1</td></tr> <tr><td>SB5961913S</td><td>9.5</td></tr> <tr><td>SB5961915S</td><td>10.7</td></tr> <tr><td>SB5961919S</td><td>13.6</td></tr> <tr><td>SB5962311S</td><td>9.2</td></tr> <tr><td>SB5962313S</td><td>11.0</td></tr> <tr><td>SB5962315S</td><td>12.4</td></tr> <tr><td>SB5962319S</td><td>15.6</td></tr> </tbody> </table> | Part Number | Lbs | SB5961911S | 8.1 | SB5961913S | 9.5 | SB5961915S | 10.7 | SB5961919S | 13.6 | SB5962311S | 9.2 | SB5962313S | 11.0 | SB5962315S | 12.4 | SB5962319S | 15.6 |
| Part Number | Lbs | | | | | | | | | | | | | | | | | | |
| SB5961911S | 8.1 | | | | | | | | | | | | | | | | | | |
| SB5961913S | 9.5 | | | | | | | | | | | | | | | | | | |
| SB5961915S | 10.7 | | | | | | | | | | | | | | | | | | |
| SB5961919S | 13.6 | | | | | | | | | | | | | | | | | | |
| SB5962311S | 9.2 | | | | | | | | | | | | | | | | | | |
| SB5962313S | 11.0 | | | | | | | | | | | | | | | | | | |
| SB5962315S | 12.4 | | | | | | | | | | | | | | | | | | |
| SB5962319S | 15.6 | | | | | | | | | | | | | | | | | | |
| Packaging | Individually packaged in protective cardboard carton suitable for parcel shipment | | | | | | | | | | | | | | | | | | |



Specification Example (available choices are shown between the [])

Solid single piece center-mount rack mounted shelves shall support equipment within a two-post equipment rack. The shelves shall be able to be mounted to a standard [19", 23"] wide two-post EIA-310-D compliant equipment rack and be UL listed as a communications circuit accessory per the UL 1863 standard. The shelves shall be made of a minimum of 14 gauge steel. The shelves shall take up no more than two 1.75" rack mount unit spaces and have an overall depth of [11", 13", 15", 19"]. The shelves shall have a load rating not less than 100 lbs. (45 kg) when the load is evenly distributed. The shelves shall be provided with a [silver powder coat, flat black powder coat, telco gray power coat] finish.

Part Numbers

| Rack Width | Shelf Depth | Finish | Part Number | Material Number |
|-------------|--------------|-------------------------------|---------------------|-----------------|
| 19" (483mm) | 11" (279mm) | Flat Black Powder Coat | SB5961911SFB | 11723856 |
| | | Silver Powder Coat | SB5961911SSL | 11701552 |
| | | Telco Gray Power Coat | SB5961911STG | 11723857 |
| 19" (483mm) | 13" (330mm) | Flat Black Powder Coat | SB5961913SFB | 11723859 |
| | | Silver Powder Coat | SB5961913SSL | 11723897 |
| | | Telco Gray Power Coat | SB5961913STG | 11723903 |
| 19" (483mm) | 15" (381mm) | Flat Black Powder Coat | SB5961915SFB | 11723956 |
| | | Silver Powder Coat | SB5961915SSL | 11723962 |
| | | Telco Gray Power Coat | SB5961915STG | 11723973 |
| 19" (483mm) | 19" (483 mm) | Flat Black Powder Coat | SB5961919SFB | 11723975 |
| | | Silver Powder Coat | SB5961919SSL | 11723978 |
| | | Telco Gray Power Coat | SB5961919STG | 11723979 |
| 23" (584mm) | 11" (279mm) | Flat Black Powder Coat | SB5962311SFB | 11723982 |
| | | Silver Powder Coat | SB5962311SSL | 11723983 |
| | | Telco Gray Power Coat | SB5962311STG | 11723984 |
| 23" (584mm) | 13" (330mm) | Flat Black Powder Coat | SB5962313SFB | 11723985 |
| | | Silver Powder Coat | SB5962313SSL | 11723986 |
| | | Telco Gray Power Coat | SB5962313STG | 11723987 |
| 23" (584mm) | 15" (381mm) | Flat Black Powder Coat | SB5962315SFB | 11723988 |
| | | Silver Powder Coat | SB5962315SSL | 11723989 |
| | | Telco Gray Power Coat | SB5962315STG | 11723990 |
| 23" (584mm) | 19" (483 mm) | Flat Black Powder Coat | SB5962319SFB | 11701557 |
| | | Silver Powder Coat | SB5962319SSL | 11723991 |
| | | Telco Gray Power Coat | SB5962319STG | 11723992 |

***BOLD** indicates popular item that is always stocked

Cross Reference

| Part Number | Material Number | CPI* | Damac | Hoffman |
|--------------|-----------------|-----------|-------------|----------|
| SB5961915SFB | 11723956 | 11293-719 | N/A | ECMS1918 |
| SB5961919SFB | 11723975 | 11294-719 | SRS1919CS-3 | ECMS1922 |

*CPI version is aluminum not steel.

Specification subject to change without notice. For further information, please contact –

Cooper B-Line - USA • 509 West Monroe Street • Highland, IL 62249 • United States
 Phone: (800) 851-7415 • Fax: (800) 356-1438 • Email: blines@cooperblines.com