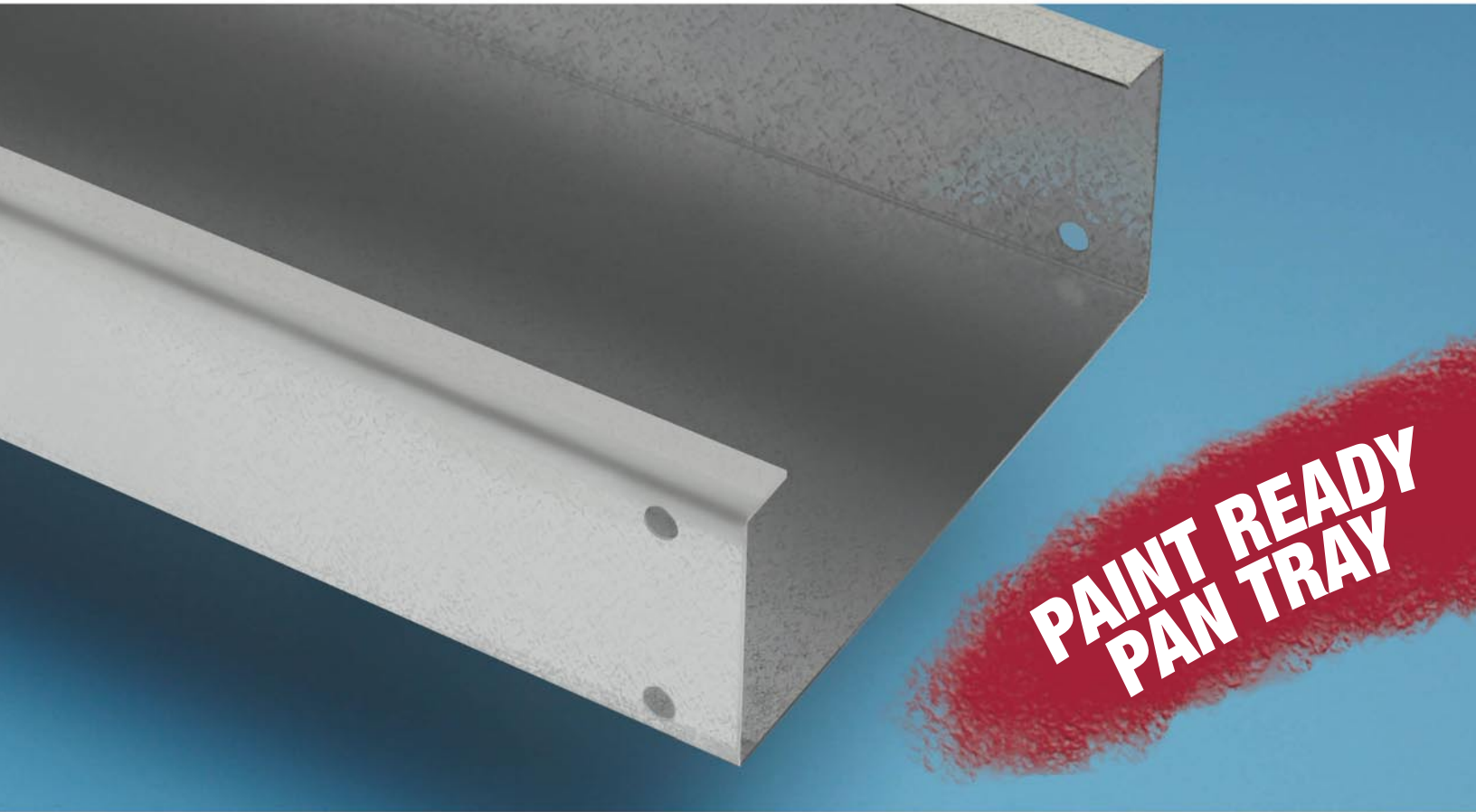


Introducing B-Line's New "Paint-Ready Pan Tray" Solid Bottom Cable Tray System



FEATURES:

- Ready to be painted – no primer needed.
- Galvanneal Steel ASTM A653SS A60 construction
- Smooth surfaces and radius fittings for easy, snag free wire pull
- Nema VE 1 compliant ensures the quality you expect from B-Line
- Complete line of accessories...one stop shop for all your needs.
- **Splice plates and hardware are included with every straight section**

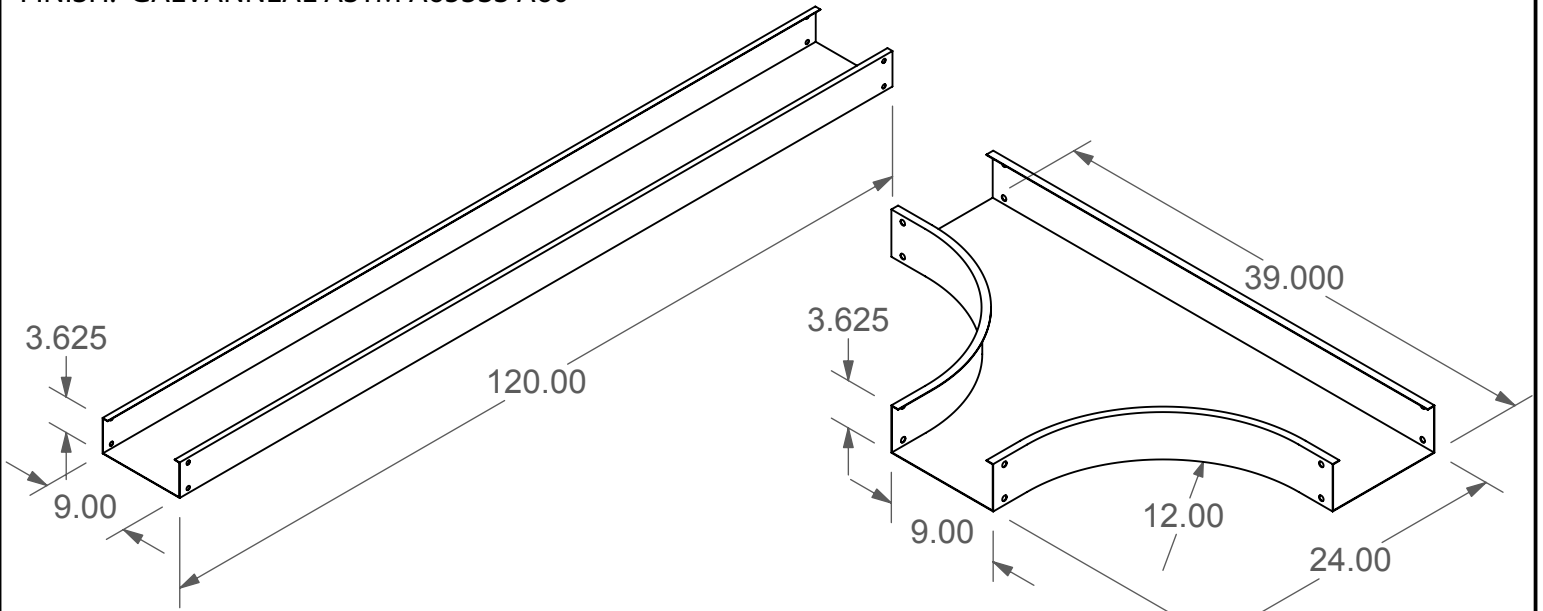


Let Cooper B-Line's solid reputation, unmatched service—and "solutions through product selection" keep your commercial or institutional customer's next cable tray project on track.

For innovation and flexibility in cable support systems, put B-Line's "Solutions Through Product Selection" to work for you. Give us a call at 1-800-851-7415, or visit us at www.cooperbline.com.

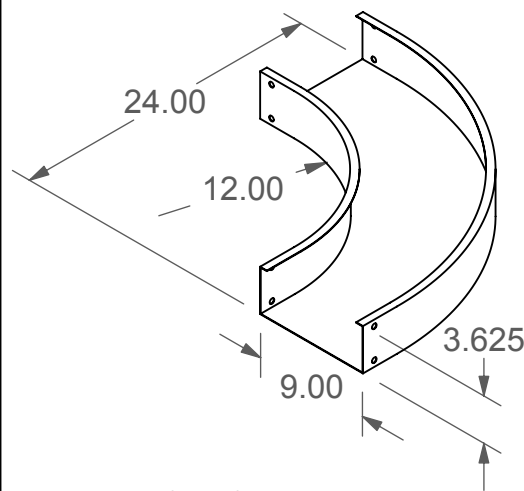
**COOPER B-Line**

FINISH: GALVANNEAL ASTM A653SS A60

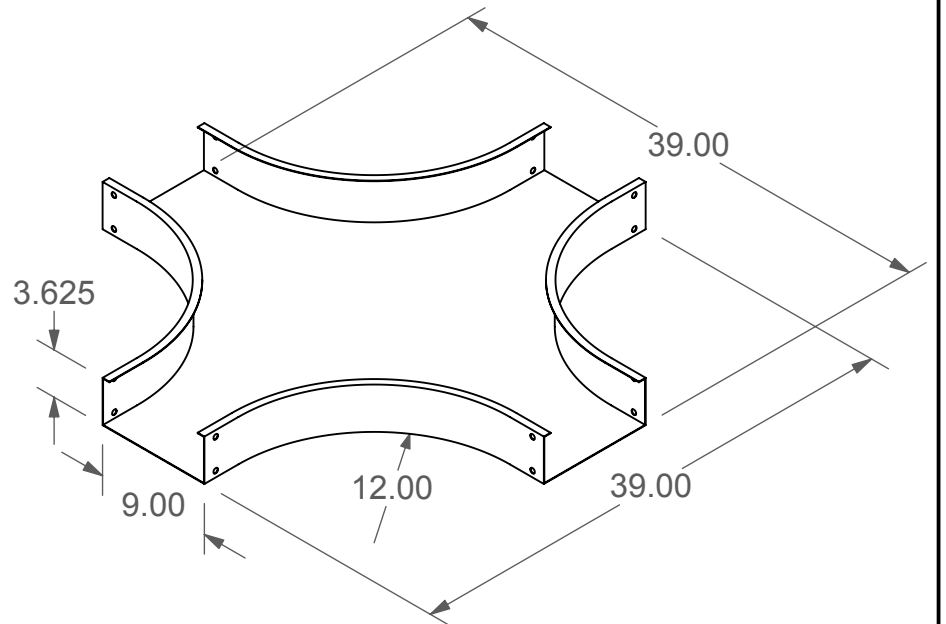


STRAIGHT SECTION
4LC-09-120

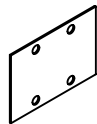
HORIZONTAL TEE
4LC-09-HT12



HORIZONTAL BEND
4LC-09-90HB12



HORIZONTAL CROSS
4LC-09-HX12



SPLICE PLATE
9L-4004

FURNISHED IN PAIRS WITH HARDWARE

Cooper B-Line
509 West Monroe Street
Highland, IL 62249
800-851-7415
www.cooperbline.com

COOPER B-Line